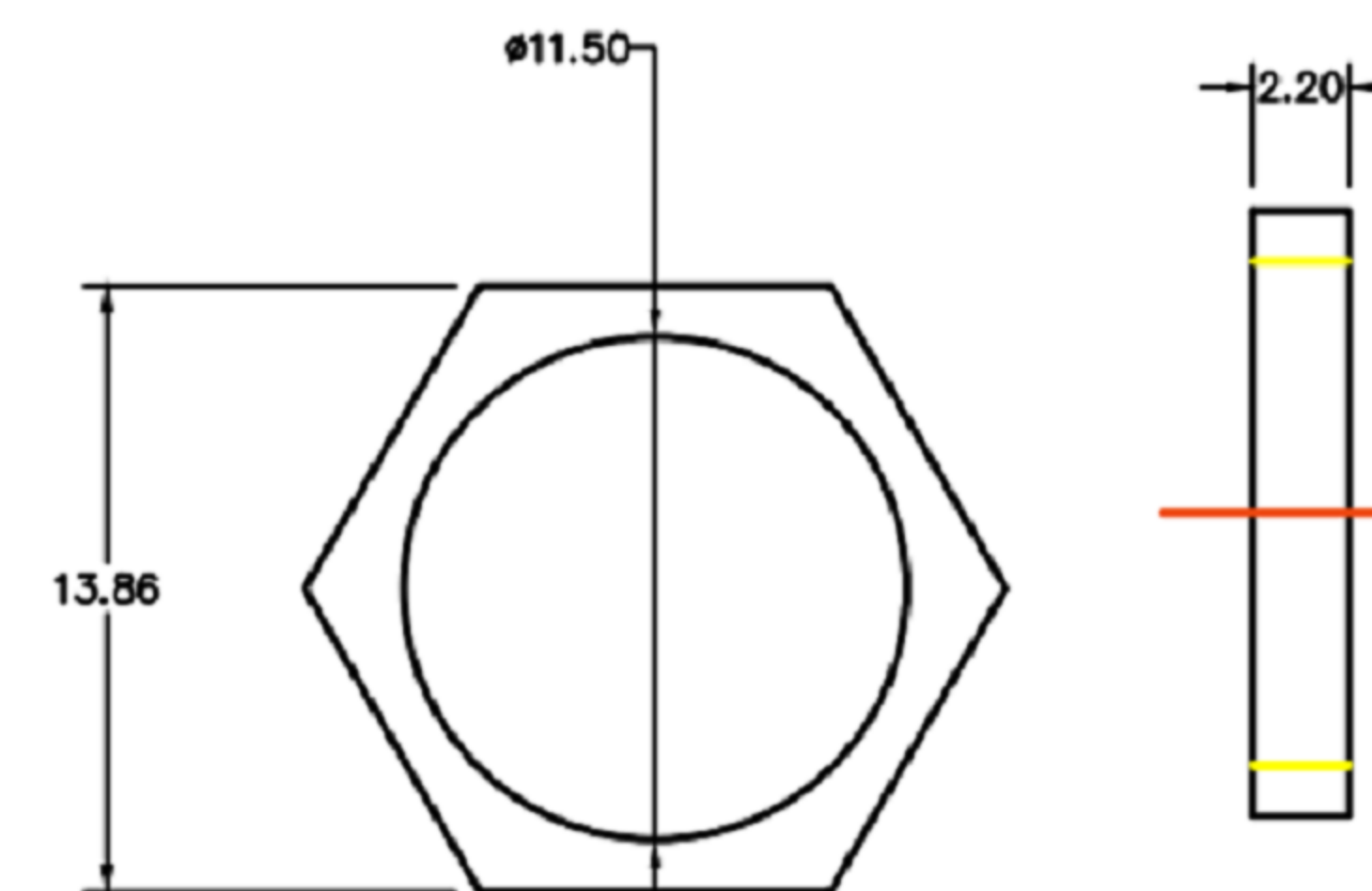


开孔: 负公差-0.1



4	更新pcb layout尺寸	Jack	083019
3	新增pcb layout尺寸	Jack	082919
2	更新料號	Jack	061219
1	更新圖面樣式及尺寸	Jack	091818
ITEM NO.	DESCRIPTION	DRAWN	DATE

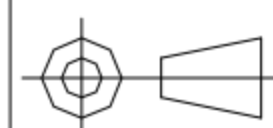


**东莞市高迪电子有限公司**  
Dong Guan KDRR Electronic Switch Jack Co., Ltd.

TOLERANCE UNLESS OTHERWISE STATED:

Up to 5 ±0.2  
Above 5 ~ 15 ±0.3  
Above 15 ~ 30 ±0.4  
Above 30 ~ 50 ±0.5  
Angle ±0.3°

3RD. ANGEL'S



UNITS

MM

DRAWN BY:	DATE
Ming Ming Zou	11/19/14
CHECKED BY:	DATE
Ning Ning Su	11/19/14
APPROVED BY:	DATE
Jia Xiang	11/19/14

MAT'L	TITLE	CONNECTOR
FINISH	MODLE	USB C TYPE
SCALE	DWG NO.	GD-TYPEC-FS-YM4P
SHEET NO.	PART NO.	
1 of 1		

SIZE  
A4  
VER  
R4